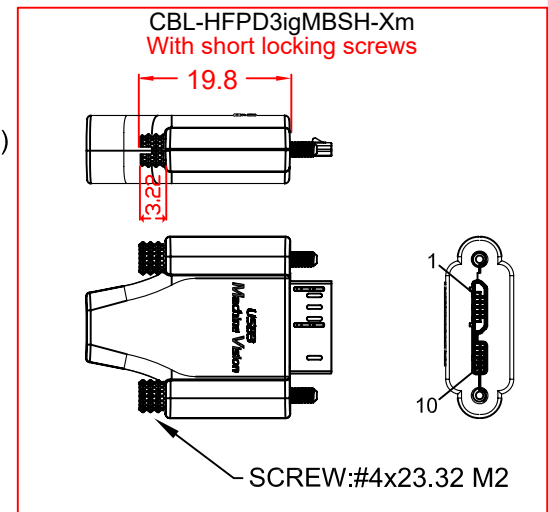
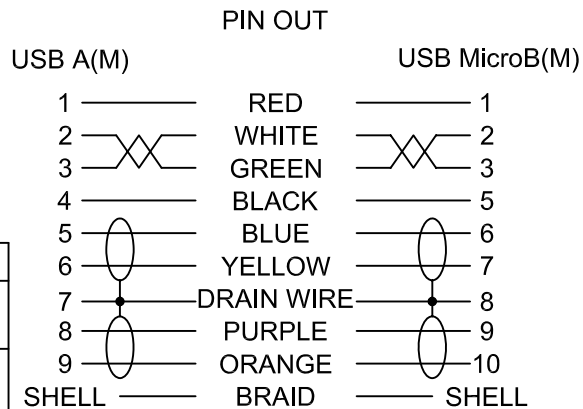
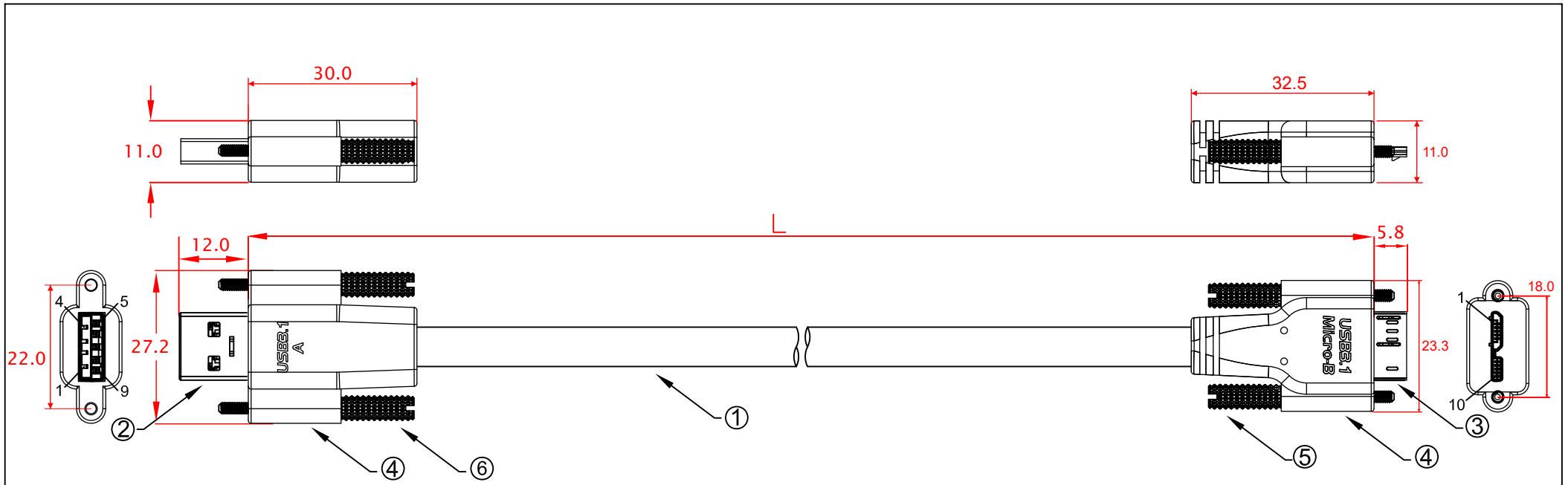


L:
 CBL-HFPD3igMBSS-1m 1000mm±20mm
 CBL-HFPD3igMBSS-2m 2000mm±20mm
 CBL-HFPD3igMBSS-3m 3000mm±20mm

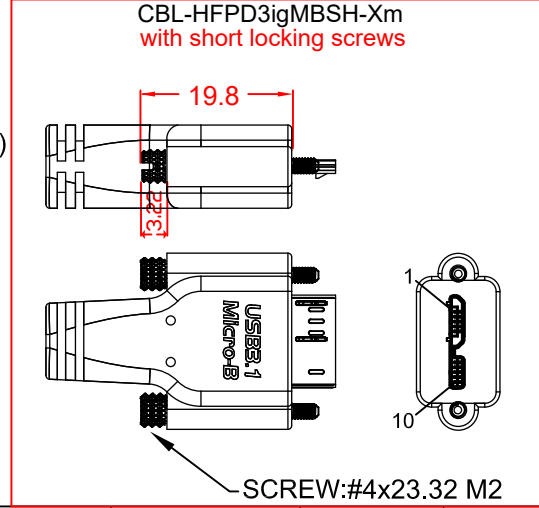
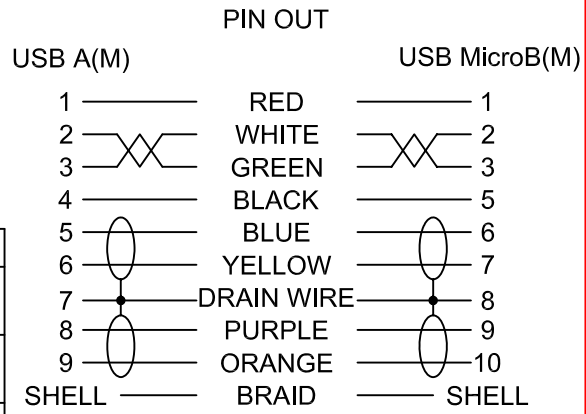


No	MATERIALS LIST:
1.	CABLE:UL20276 (2x(2x28AWG)+2x(2x28AWG)C) OD:7.0mm PUR JACKET COLOR:RED LILAC
2.	CONNECTOR:USB 3.0 A/M, 9P, BLUE INSULATOR SOLDER TYPE, NICKEL PLATED SHELL
3.	CONNECTOR:USB 3.0 MicroB/M, 10P, BLACK INSULATOR SOLDER TYPE, NICKEL PLATED SHELL
4.	ABS HOUSING, BLACK COLOR
5.	SCREW:#4x33 M2
6.	SCREW:#4x34.5 M2

Jargy part no.	Client part no.	Approved	SCALE	UNIT
CBL-HFPD3igMBSS-xm				mm
Drawing Name		Drawn	Date	REV.
USB 3.0 A to MicroB Cable M/M				1.0

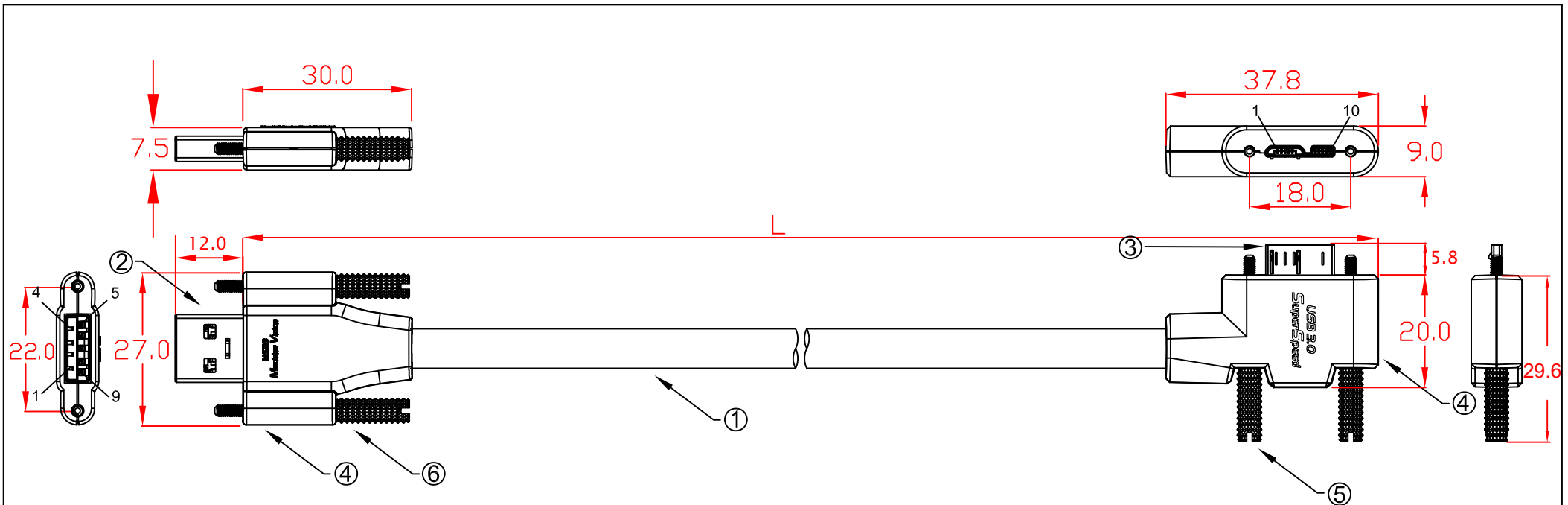


L:
 CBL-HFPD3igMBSS-1m 1000mm±20mm
 CBL-HFPD3igMBSS-2m 2000mm±20mm
 CBL-HFPD3igMBSS-3m 3000mm±20mm

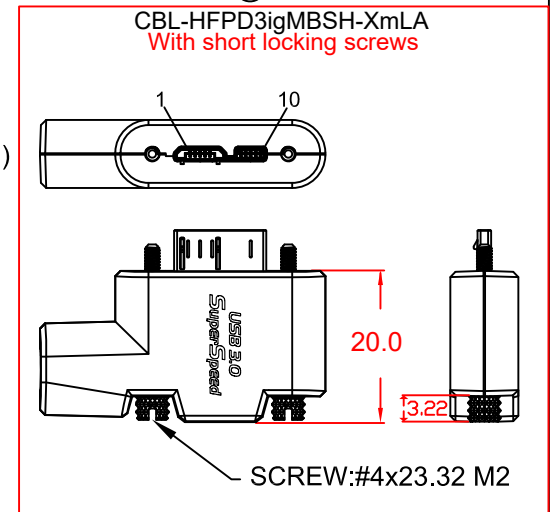
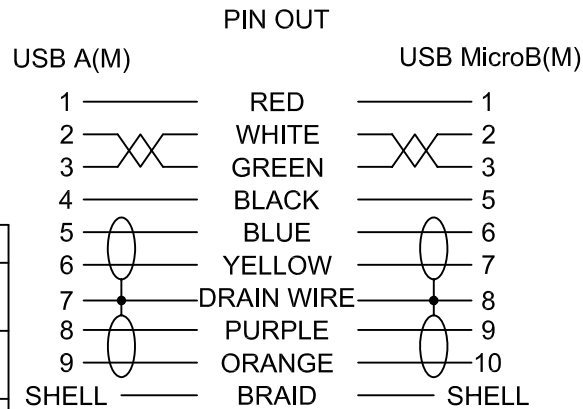


No	MATERIALS LIST:
1.	CABLE:UL20276 (2x(2x28AWG)+2x(2x28AWG)C) OD:7.0mm PUR JACKET COLOR:RED LILAC
2.	CONNECTOR:USB 3.0 A/M, 9P, BLUE INSULATOR SOLDER TYPE, NICKEL PLATED SHELL
3.	CONNECTOR:USB 3.0 MicroB/M, 10P, BLACK INSULATOR SOLDER TYPE, NICKEL PLATED SHELL
4.	PVC MOLDED HOUSING, BLACK COLOR
5.	SCREW:#4x33 M2
6.	SCREW:#4x34.5 M2

Jargy part no.	Client part no.	Approved	SCALE	UNIT
CBL-HFPD3igMBSS-xm				mm
Drawing Name		Drawn	Date	REV.
USB 3.0 A to MicroB Cable M/M				1.0

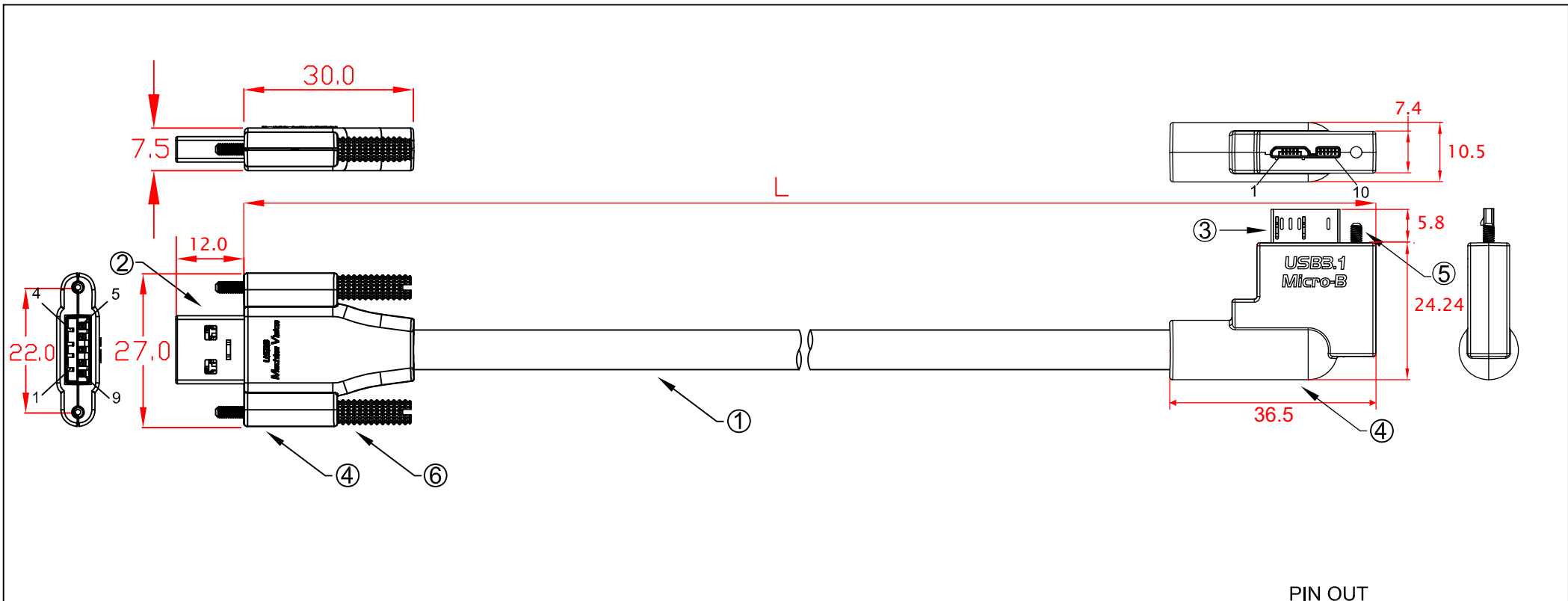


L:
 CBL-HFPD3igMBSS-1mLA 1000mm±20mm
 CBL-HFPD3igMBSS-2mLA 2000mm±20mm
 CBL-HFPD3igMBSS-3mLA 3000mm±20mm



No	MATERIALS LIST:
1.	CABLE:UL20276 (2x(2x28AWG)+2x(2x28AWG)C) OD:7.0mm PUR JACKET COLOR:RED LILAC
2.	CONNECTOR:USB 3.0 A/M, 9P, BLUE INSULATOR SOLDER TYPE, NICKEL PLATED SHELL
3.	CONNECTOR:USB 3.0 MicroB/M, 10P, BLACK INSULATOR SOLDER TYPE, NICKEL PLATED SHELL
4.	ABS HOUSING, BLACK COLOR
5.	SCREW:#4x33 M2
6.	SCREW:#4x34.5 M2

Jargy part no.	Client part no.	Approved	SCALE	UNIT
CBL-HFPD3igMBSS-xmLA				mm
Drawing Name		Drawn	Date	REV.
USB 3.0 A to MicroB Cable M/M				1.0

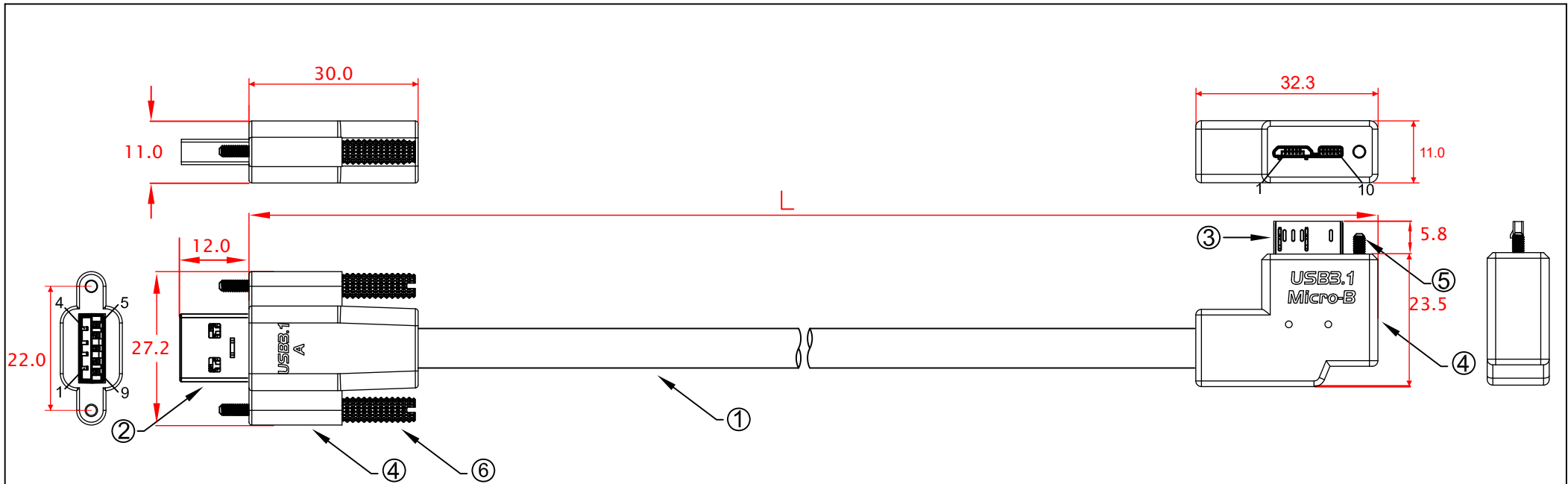


L:
 CBL-HFPD3igMBSHN-1mLA 1000mm±20mm
 CBL-HFPD3igMBSHN-2mLA 2000mm±20mm
 CBL-HFPD3igMBSHN-3mLA 3000mm±20mm

PIN OUT	
USB A(M)	USB MicroB(M)
1 ———	RED ——— 1
2 ———	WHITE ——— 2
3 ———	GREEN ——— 3
4 ———	BLACK ——— 5
5 ———	BLUE ——— 6
6 ———	YELLOW ——— 7
7 ———	DRAIN WIRE ——— 8
8 ———	PURPLE ——— 9
9 ———	ORANGE ——— 10
SHELL ———	BRAID ———
	SHELL ———

No	MATERIALS LIST:
1.	CABLE:UL20276 (2x(2x28AWG)+2x(2x28AWG)C) OD:7.0mm PUR JACKET COLOR:RED LILAC
2.	CONNECTOR:USB 3.0 A/M, 9P, BLUE INSULATOR SOLDER TYPE, NICKEL PLATED SHELL
3.	CONNECTOR:USB 3.0 MicroB/M, 10P, BLACK INSULATOR SOLDER TYPE, NICKEL PLATED SHELL
4.	ABS HOUSING, BLACK COLOR
5.	SCREW:#4x23.32 M2
6.	SCREW:#4x34.5 M2

Jargy part no.	Client part no.	Approved	SCALE	UNIT
CBL-HFPD3igMBSHN-xmLA				mm
Drawing Name		Drawn	Date	REV.
USB 3.0 A to MicroB Cable M/M				1.0

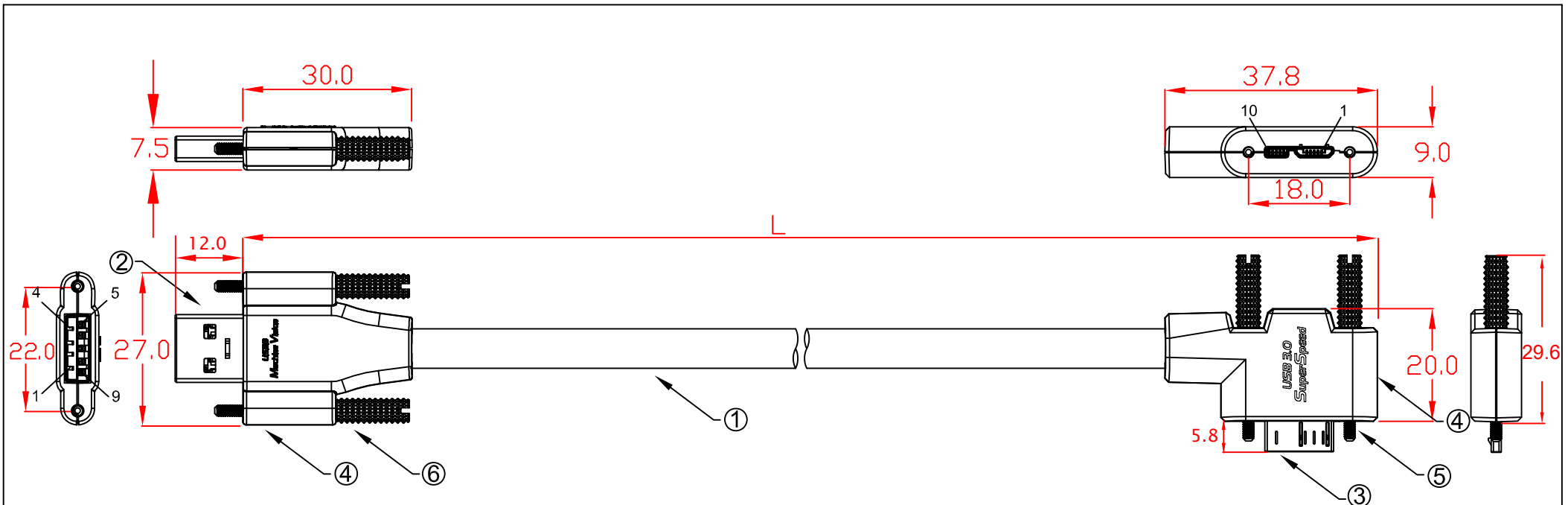


L:
 CBL-HFPD3igMBSH-1mLA 1000mm±20mm
 CBL-HFPD3igMBSH-2mLA 2000mm±20mm
 CBL-HFPD3igMBSH-3mLA 3000mm±20mm

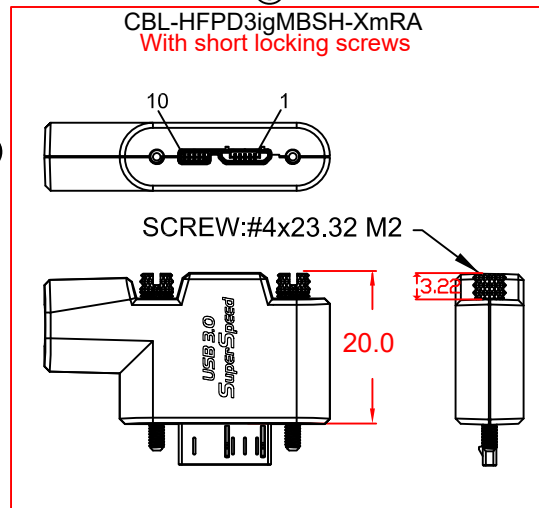
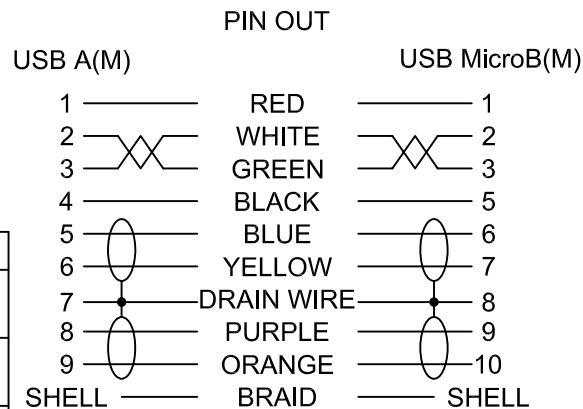
PIN OUT		
USB A(M)		USB MicroB(M)
1	RED	1
2	WHITE	2
3	GREEN	3
4	BLACK	5
5	BLUE	6
6	YELLOW	7
7	DRAIN WIRE	8
8	PURPLE	9
9	ORANGE	10
SHELL	BRAID	SHELL

No	MATERIALS LIST:
1.	CABLE:UL20276 (2x(2x28AWG)+2x(2x28AWG)C) OD:7.0mm PUR JACKET COLOR:RED LILAC
2.	CONNECTOR:USB 3.0 A/M, 9P, BLUE INSULATOR SOLDER TYPE, NICKEL PLATED SHELL
3.	CONNECTOR:USB 3.0 MicroB/M, 10P, BLACK INSULATOR SOLDER TYPE, NICKEL PLATED SHELL
4.	PVC MOLDED HOUSING, BLACK COLOR
5.	SCREW:#4x23.32 M2
6.	SCREW:#4x34.5 M2

Jargy part no.	Client part no.	Approved	SCALE	UNIT
CBL-HFPD3igMBSH-xmLA				mm
Drawing Name		Drawn	Date	REV.
USB 3.0 A to MicroB Cable M/M				1.0

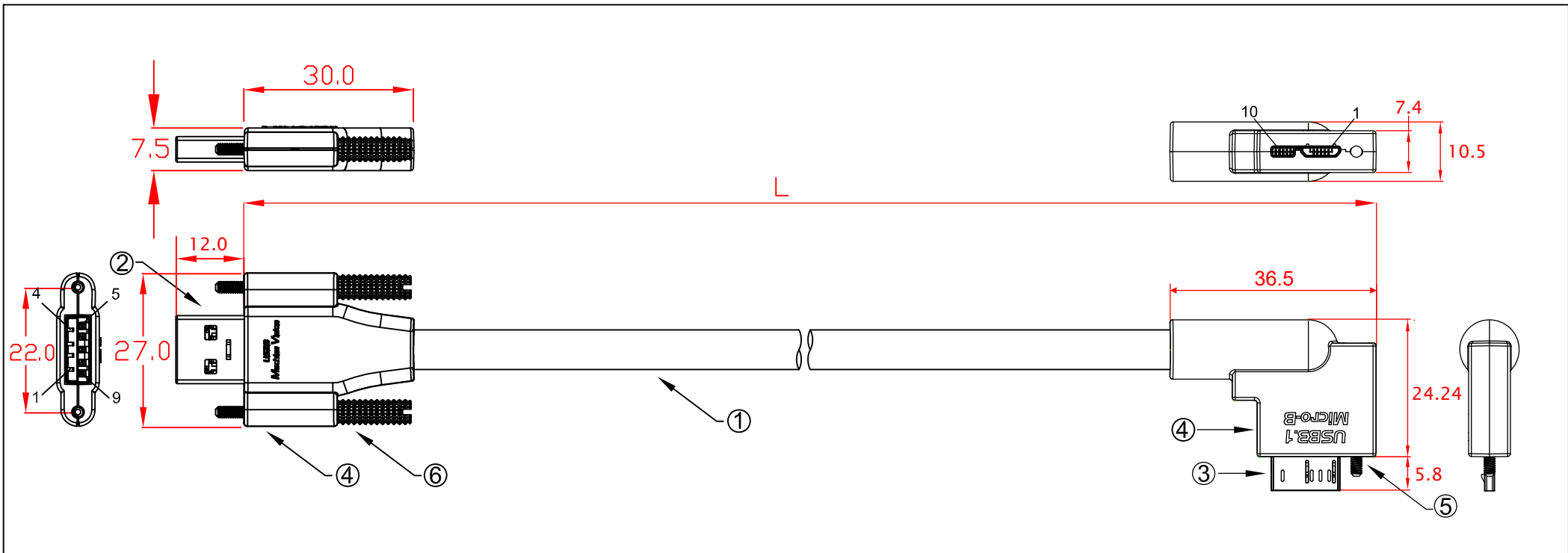


L:
 CBL-HFPD3igMBSS-1mRA 1000mm±20mm
 CBL-HFPD3igMBSS-2mRA 2000mm±20mm
 CBL-HFPD3igMBSS-3mRA 3000mm±20mm



No	MATERIALS LIST:
1.	CABLE:UL20276 (2x(2x28AWG)+2x(2x28AWG)C) OD:7.0mm PUR JACKET COLOR:RED LILAC
2.	CONNECTOR:USB 3.0 A/M, 9P, BLUE INSULATOR SOLDER TYPE, NICKEL PLATED SHELL
3.	CONNECTOR:USB 3.0 MicroB/M, 10P, BLACK INSULATOR SOLDER TYPE, NICKEL PLATED SHELL
4.	ABS HOUSING, BLACK COLOR
5.	SCREW:#4x33 M2
6.	SCREW:#4x34.5 M2

Jargy part no.	Client part no.	Approved	SCALE	UNIT
CBL-HFPD3igMBSS-xmRA				mm
Drawing Name		Drawn	Date	REV.
USB 3.0 A to MicroB Cable M/M				1.0

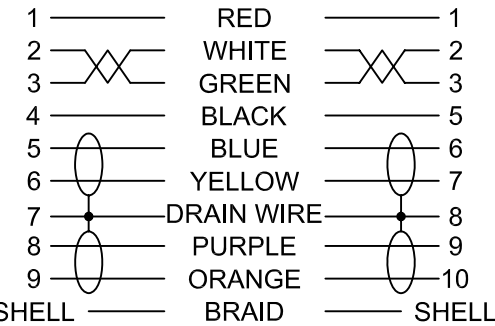


L:
 CBL-HFPD3igMBSHN-1mRA 1000mm±20mm
 CBL-HFPD3igMBSHN-2mRA 2000mm±20mm
 CBL-HFPD3igMBSHN-3mRA 3000mm±20mm

PIN OUT

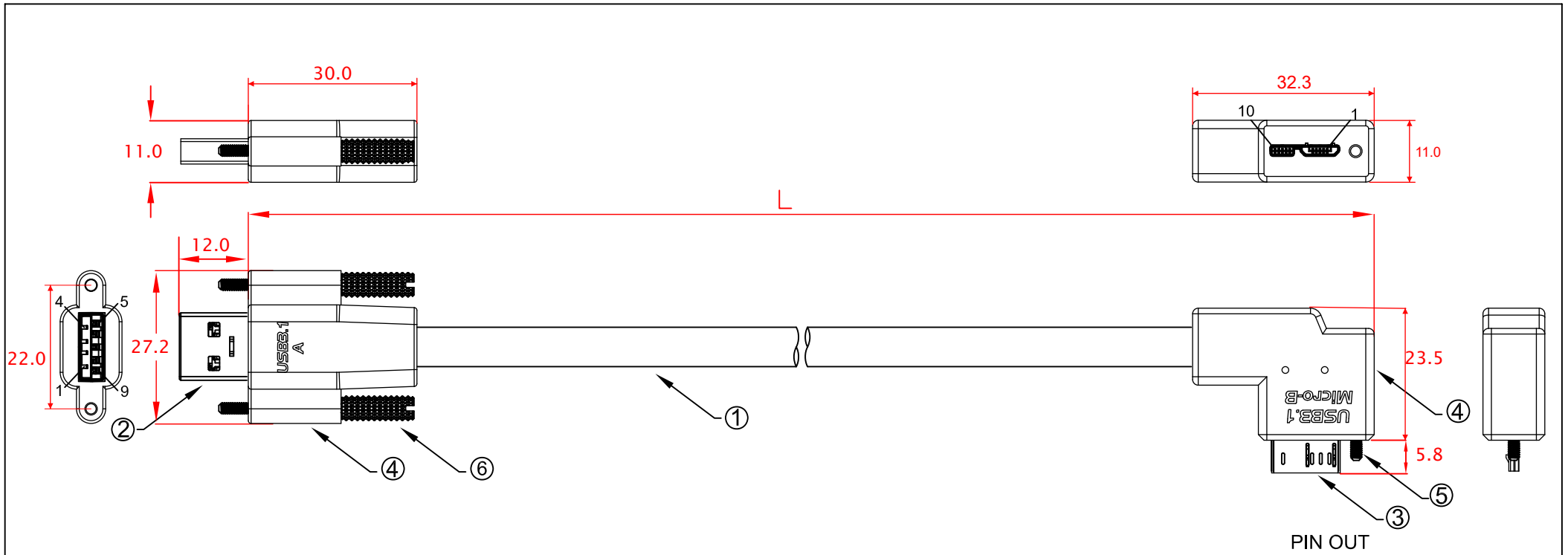
USB A(M)

USB MicroB(M)

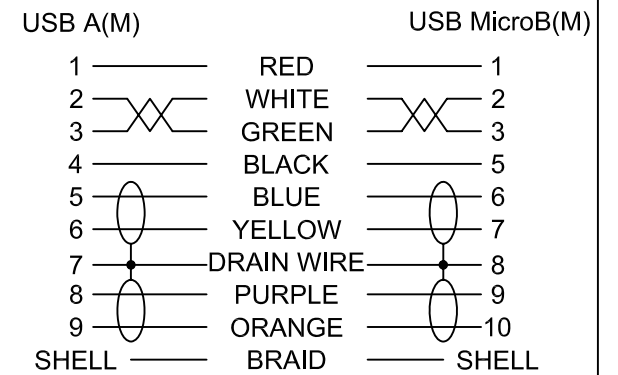


No	MATERIALS LIST:
1.	CABLE:UL20276 (2x(2x28AWG)+2x(2x28AWG)C) OD:7.0mm PUR JACKET COLOR:RED LILAC
2.	CONNECTOR:USB 3.0 A/M, 9P, BLUE INSULATOR SOLDER TYPE, NICKEL PLATED SHELL
3.	CONNECTOR:USB 3.0 MicroB/M, 10P, BLACK INSULATOR SOLDER TYPE, NICKEL PLATED SHELL
4.	ABS HOUSING, BLACK COLOR
5.	SCREW:#4x23.32 M2
6.	SCREW:#4x34.5 M2

Jargy part no.	Client part no.	Approved	SCALE	UNIT
CBL-HFPD3igMBSHN-xmRA				mm
Drawing Name		Drawn	Date	REV.
USB 3.0 A to MicroB Cable M/M				1.0

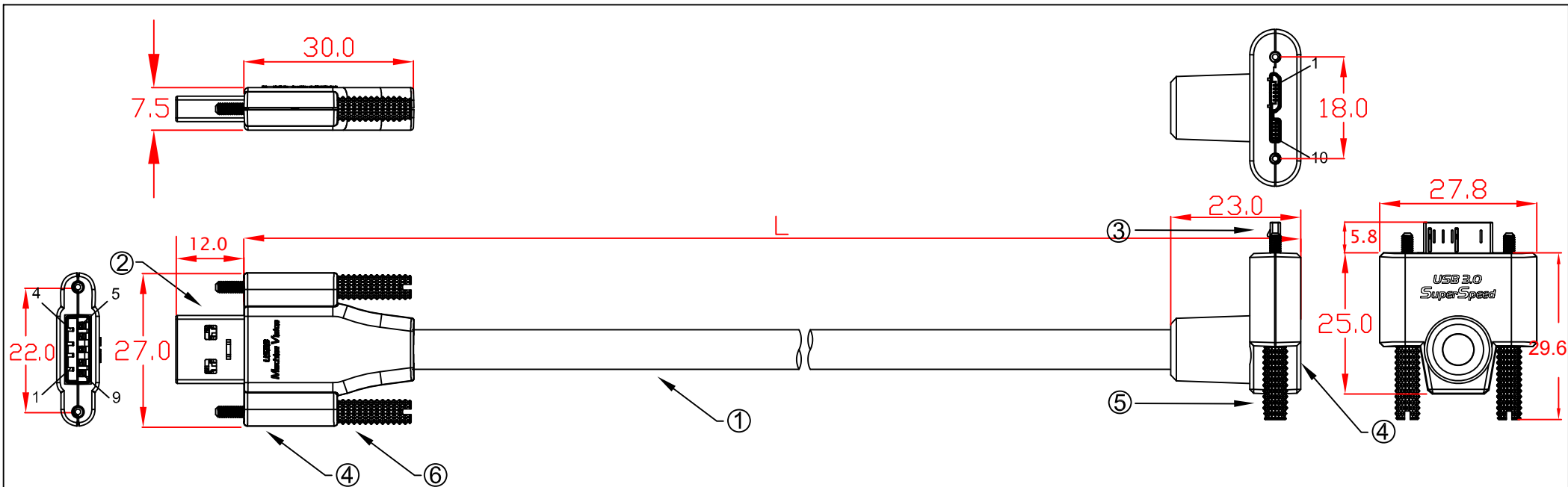


L:
 CBL-HFPD3igMBSH-1mRA 1000mm±20mm
 CBL-HFPD3igMBSH-2mRA 2000mm±20mm
 CBL-HFPD3igMBSH-3mRA 3000mm±20mm

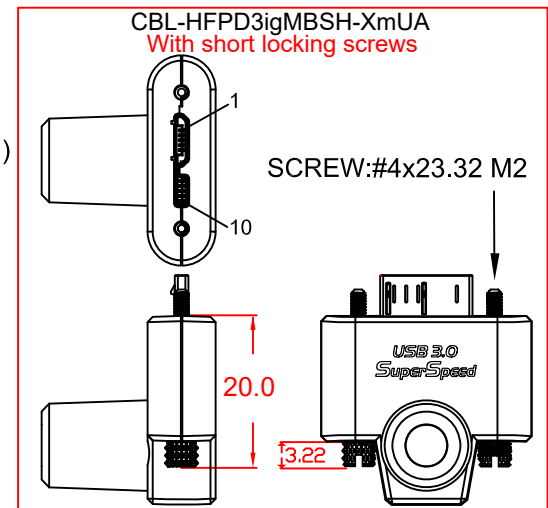
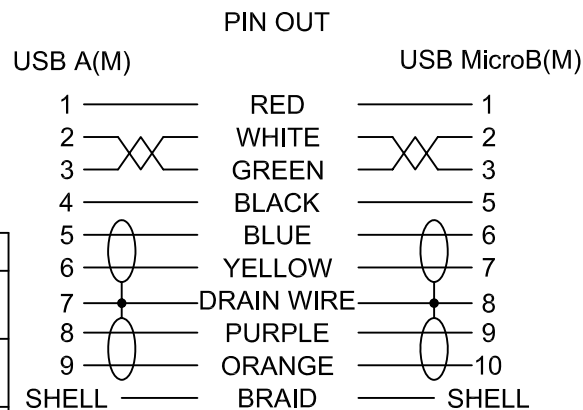


No	MATERIALS LIST:
1.	CABLE:UL20276 (2x(2x28AWG)+2x(2x28AWG)C) OD:7.0mm PUR JACKET COLOR:RED LILAC
2.	CONNECTOR:USB 3.0 A/M, 9P, BLUE INSULATOR SOLDER TYPE, NICKEL PLATED SHELL
3.	CONNECTOR:USB 3.0 MicroB/M, 10P, BLACK INSULATOR SOLDER TYPE, NICKEL PLATED SHELL
4.	PVC MOLDED HOUSING, BLACK COLOR
5.	SCREW:#4x23.32 M2
6.	SCREW:#4x34.5 M2

Jargy part no.	Client part no.	Approved	SCALE	UNIT
CBL-HFPD3igMBSH-xmRA				mm
Drawing Name		Drawn	Date	REV.
USB 3.0 A to MicroB Cable M/M				1.0



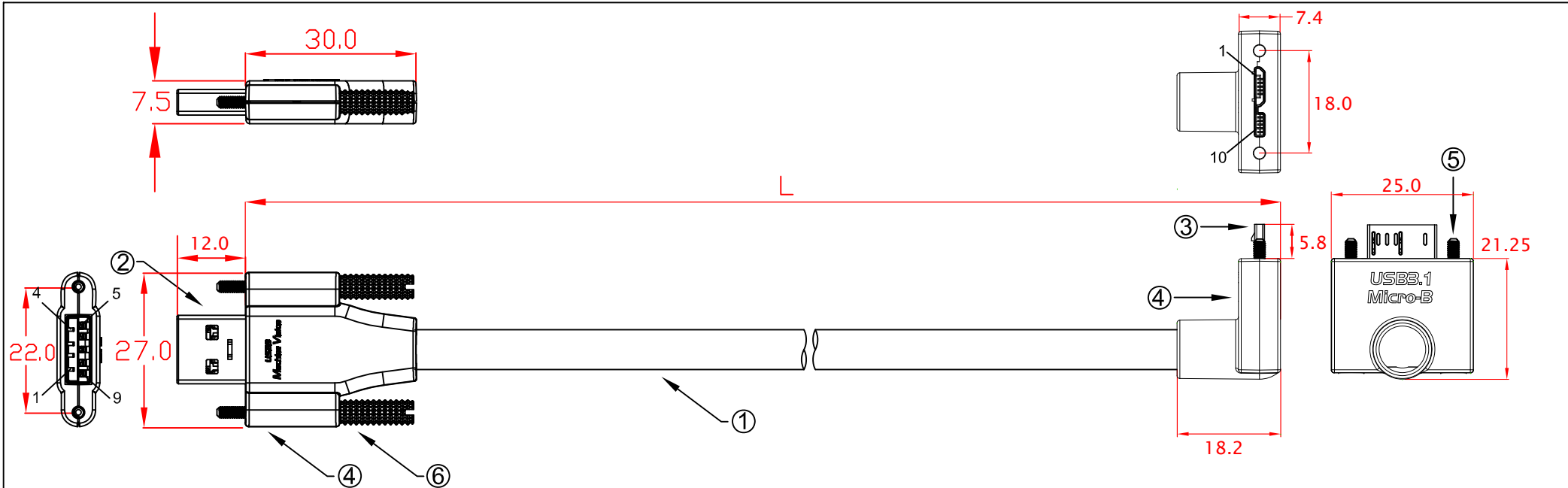
L:
 CBL-HFPD3igMBSS-1mUA 1000mm±20mm
 CBL-HFPD3igMBSS-2mUA 2000mm±20mm
 CBL-HFPD3igMBSS-3mUA 3000mm±20mm



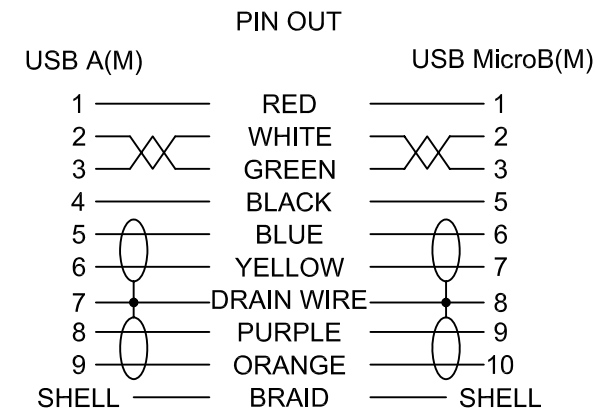
No	MATERIALS LIST:
1.	CABLE:UL20276 (2x(2x28AWG)+2x(2x28AWG)C) OD:7.0mm PUR JACKET COLOR:RED LILAC
2.	CONNECTOR:USB 3.0 A/M, 9P, BLUE INSULATOR SOLDER TYPE, NICKEL PLATED SHELL
3.	CONNECTOR:USB 3.0 MicroB/M, 10P, BLACK INSULATOR SOLDER TYPE, NICKEL PLATED SHELL
4.	ABS HOUSING, BLACK COLOR
5.	SCREW:#4x33 M2
6.	SCREW:#4x34.5 M2

Jargy part no.	Client part no.	Approved	SCALE	UNIT
CBL-HFPD3igMBSS-xmUA				mm
Drawing Name		Drawn	Date	REV.
USB 3.0 A to MicroB Cable M/M				1.0

Mobile Computing **JARGY**

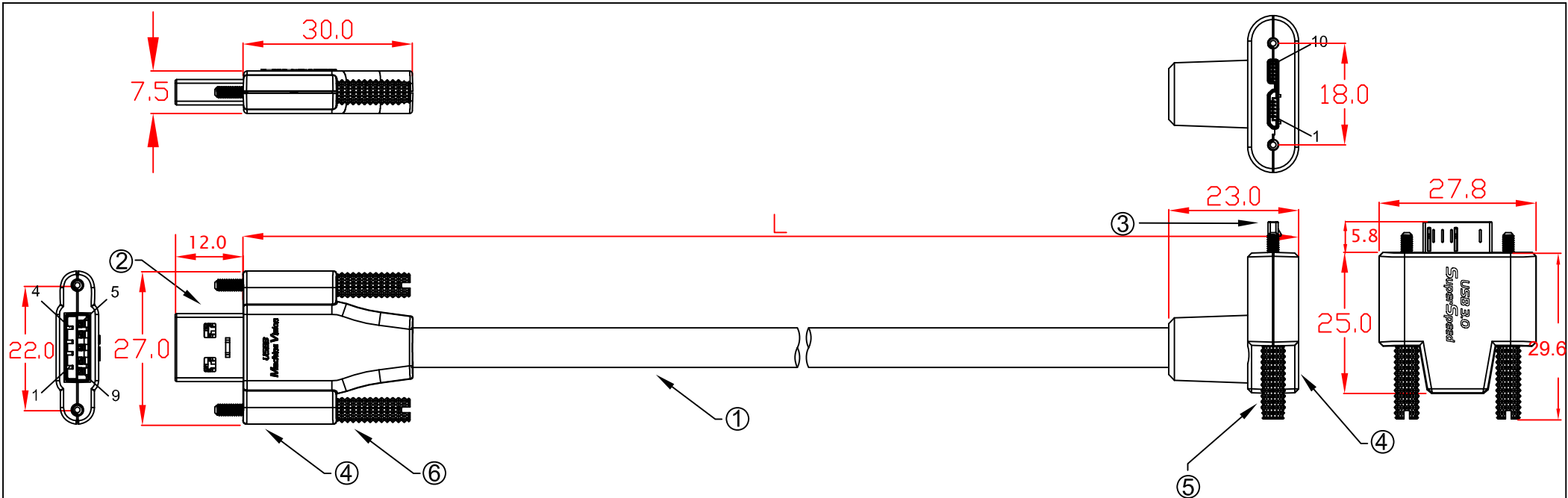


L:
 CBL-HFPD3igMBSHN-1mUA 1000mm±20mm
 CBL-HFPD3igMBSHN-2mUA 2000mm±20mm
 CBL-HFPD3igMBSHN-3mUA 3000mm±20mm

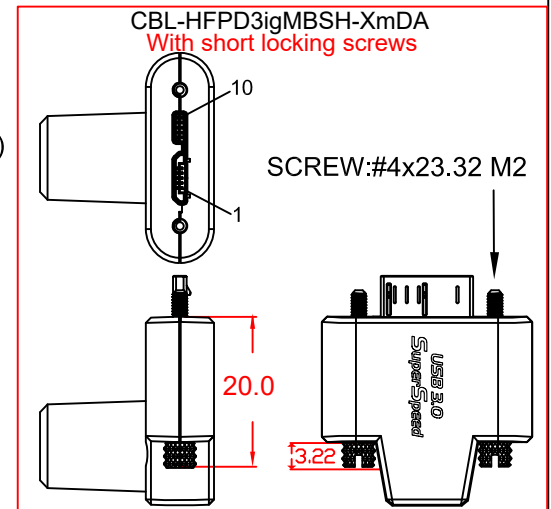
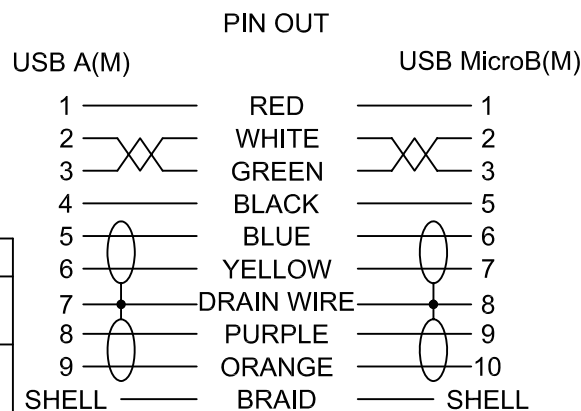


No	MATERIALS LIST:
1.	CABLE:UL20276 (2x(2x28AWG)+2x(2x28AWG)C) OD:7.0mm PUR JACKET COLOR:RED LILAC
2.	CONNECTOR:USB 3.0 A/M, 9P, BLUE INSULATOR SOLDER TYPE, NICKEL PLATED SHELL
3.	CONNECTOR:USB 3.0 MicroB/M, 10P, BLACK INSULATOR SOLDER TYPE, NICKEL PLATED SHELL
4.	ABS HOUSING, BLACK COLOR
5.	SCREW:#4x23.32 M2
6.	SCREW:#4x34.5 M2

Jargy part no.	Client part no.	Approved	SCALE	UNIT
CBL-HFPD3igMBSHN-xmUA				mm
Drawing Name		Drawn	Date	REV.
USB 3.0 A to MicroB Cable M/M				1.0



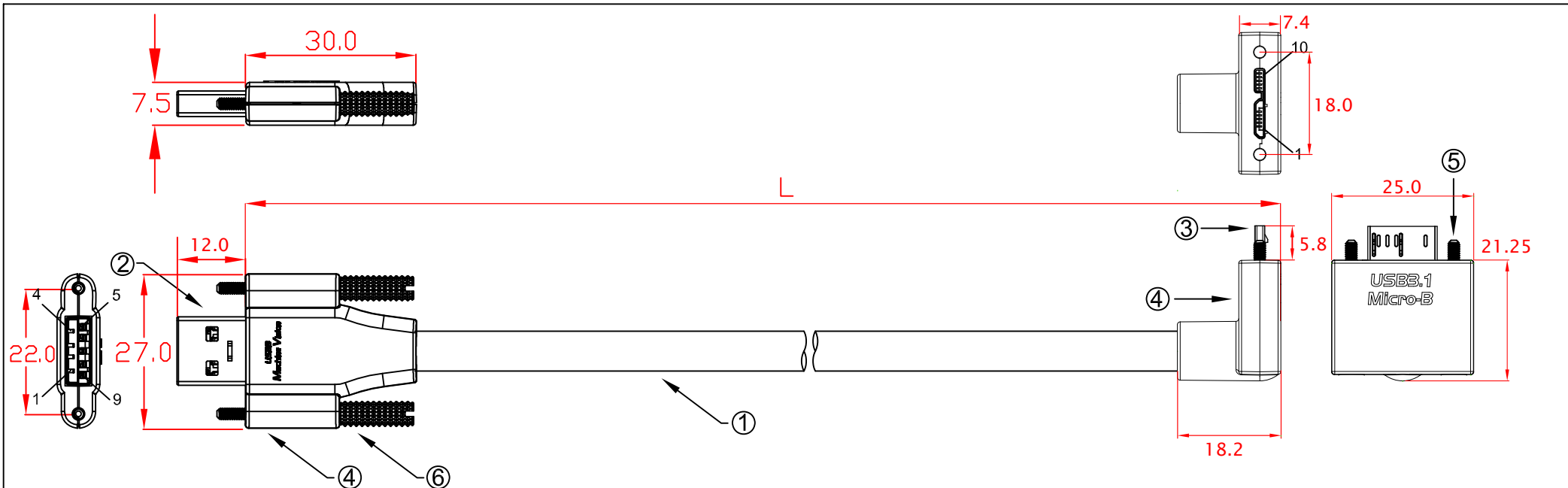
L:
 CBL-HFPD3igMBSS-1mDA 1000mm±20mm
 CBL-HFPD3igMBSS-2mDA 2000mm±20mm
 CBL-HFPD3igMBSS-3mDA 3000mm±20mm



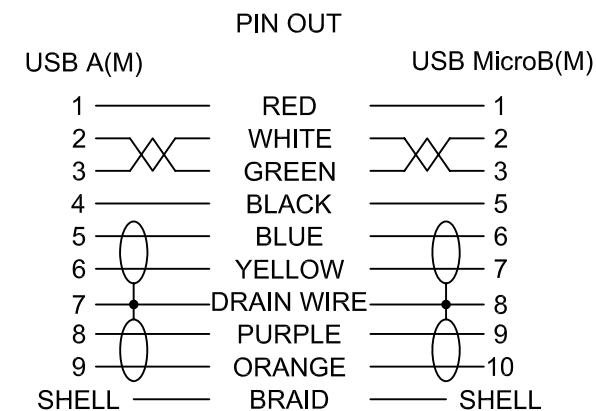
No	MATERIALS LIST:
1.	CABLE:UL20276 (2x(2x28AWG)+2x(2x28AWG)C) OD:7.0mm PUR JACKET COLOR:RED LILAC
2.	CONNECTOR:USB 3.0 A/M, 9P, BLUE INSULATOR SOLDER TYPE, NICKEL PLATED SHELL
3.	CONNECTOR:USB 3.0 MicroB/M, 10P, BLACK INSULATOR SOLDER TYPE, NICKEL PLATED SHELL
4.	ABS HOUSING, BLACK COLOR
5.	SCREW:#4x33 M2
6.	SCREW:#4x34.5 M2

Jargy part no.	Client part no.	Approved	SCALE	UNIT
CBL-HFPD3igMBSS-xmDA				mm
Drawing Name		Drawn	Date	REV.
USB 3.0 A to MicroB Cable M/M				1.0

Mobile Computing **JARGY**



L:
 CBL-HFPD3igMBSHN-1mDA 1000mm±20mm
 CBL-HFPD3igMBSHN-2mDA 2000mm±20mm
 CBL-HFPD3igMBSHN-3mDA 3000mm±20mm



No	MATERIALS LIST:
1.	CABLE:UL20276 (2x(2x28AWG)+2x(2x28AWG)C) OD:7.0mm PUR JACKET COLOR:RED LILAC
2.	CONNECTOR:USB 3.0 A/M, 9P, BLUE INSULATOR SOLDER TYPE, NICKEL PLATED SHELL
3.	CONNECTOR:USB 3.0 MicroB/M, 10P, BLACK INSULATOR SOLDER TYPE, NICKEL PLATED SHELL
4.	ABS HOUSING, BLACK COLOR
5.	SCREW:#4x23.32 M2
6.	SCREW:#4x34.5 M2

Jargy part no.	Client part no.	Approved	SCALE	UNIT
CBL-HFPD3igMBSHN-xmDA				mm
Drawing Name		Drawn	Date	REV.
USB 3.0 A to MicroB Cable M/M				1.0